



Special Projects Group
(888) 284-4774

NOTES:

- 1) Verify that each component requiring or supplying power has been configured for proper system voltage before applying power.
- 2) All wires to be 18 awg 100' max unless otherwise noted on drawing. Refer to manufacturers instructions for proper wire gauge on any power supply, electric device or electrified lock hardware. Manufacturers requirements take precedence.
- 3) All line voltage power to be I/A/W local electrical code.
- 4) All low voltage wires to be stranded copper unless superseded by local electrical code or electric device manufacturer.

Line voltage wire type and gage, per local electrical code.

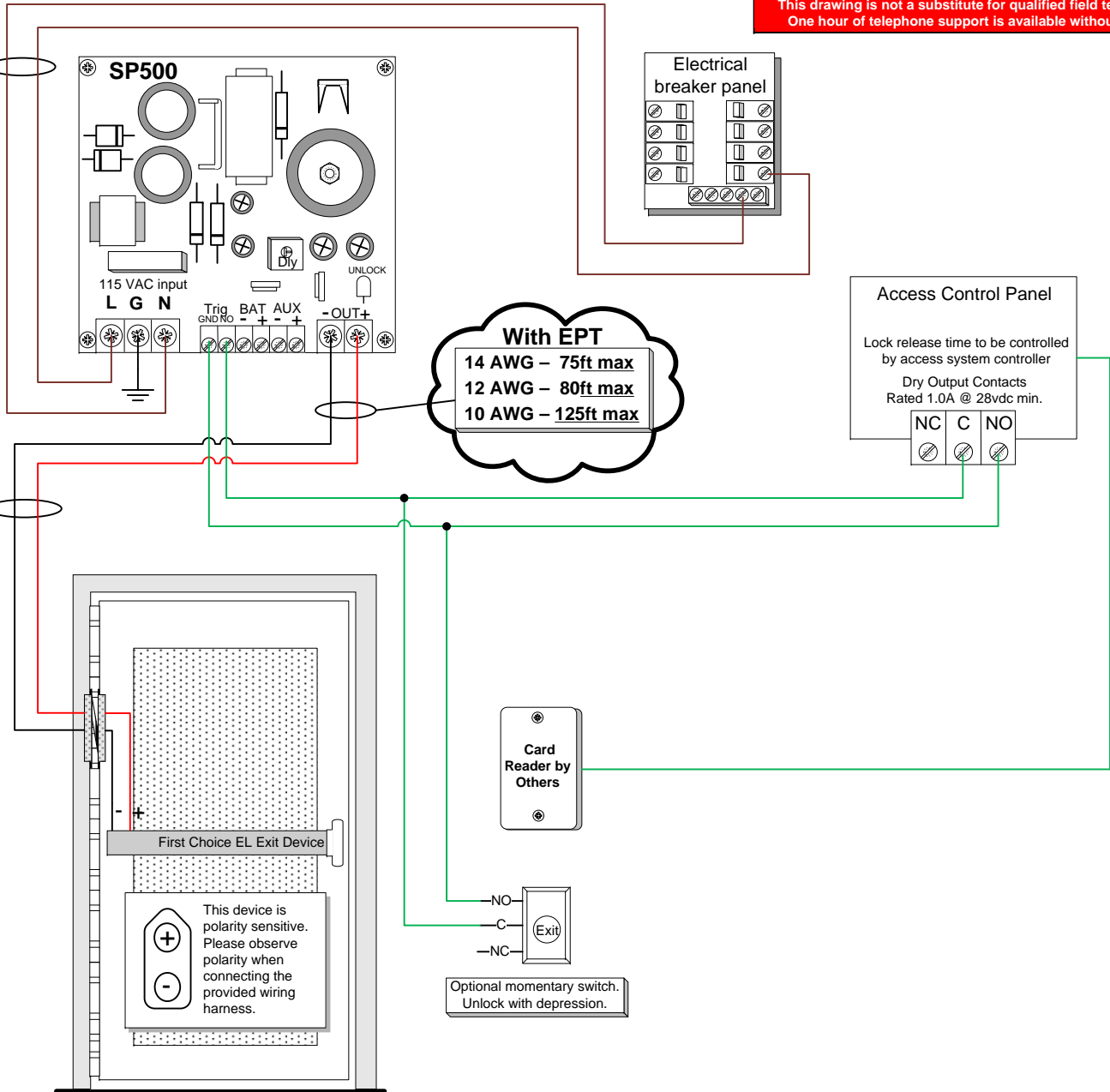
12 AWG THHN
80 ft max
with wire loop

With EPT
14 AWG - 75ft max
12 AWG - 80ft max
10 AWG - 125ft max

These drawings are the sole and exclusive property of Special Projects Group and contain sensitive privileged or confidential information which may be used only for its benefit. The disclosure of these drawings to unauthorized persons is strictly prohibited. This document and all copies must be returned upon demand.
COPYRIGHT © 2008 SPECIAL PROJECTS GROUP, INC.

FOR REFERENCE ONLY

This drawing is not a substitute for qualified field technicians. One hour of telephone support is available without charge.



POWER TRANSFERS

NOTE:

Optional power transfers are available. Please note variations in wire size and maximum run length for these options.

14 AWG - 40 ft max
12 AWG - 60 ft max
10 AWG - 100 ft max

NOTE:
Make certain to maintain consistent wire color across the transfer to maintain polarity.

Function Statement:

- From exterior - locked condition:** Access via valid credential.
- From exterior - unlocked condition:** Doors to remain locked unless held unlocked via access control.
- From interior - locked condition:** Free egress via exit device.
- From interior - unlocked condition:** Free egress via exit device.
- General:**

Title: EL Exit Device 1 Single - SP500.vsd	Project: First Choice 1 single door
Heading: Various	Door: Various
Date: 12/19/2012	Date Printed: 12/19/2012 Last Revised: 12/19/2012 2:00:15 PM
Drawn By: Patrick Treleven	For: First Choice Building Products Pg: 1 OF 1



Special Projects Group
(888) 284-4774

NOTES:

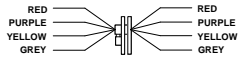
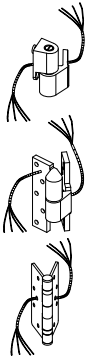
- 1) Verify that each component requiring or supplying power has been configured for proper system voltage before applying power.
- 2) All wires to be 18 awg 100' max unless otherwise noted on drawing. Refer to manufacturers instructions for proper wire gauge on any power supply, electric device or electrified lock hardware. Manufacturers requirements take precedence.
- 3) All line voltage power to be I/A/W local electrical code.
- 4) All low voltage wires to be stranded copper unless superseded by local electrical code or electric device manufacturer.

POWER TRANSFERS

NOTE:

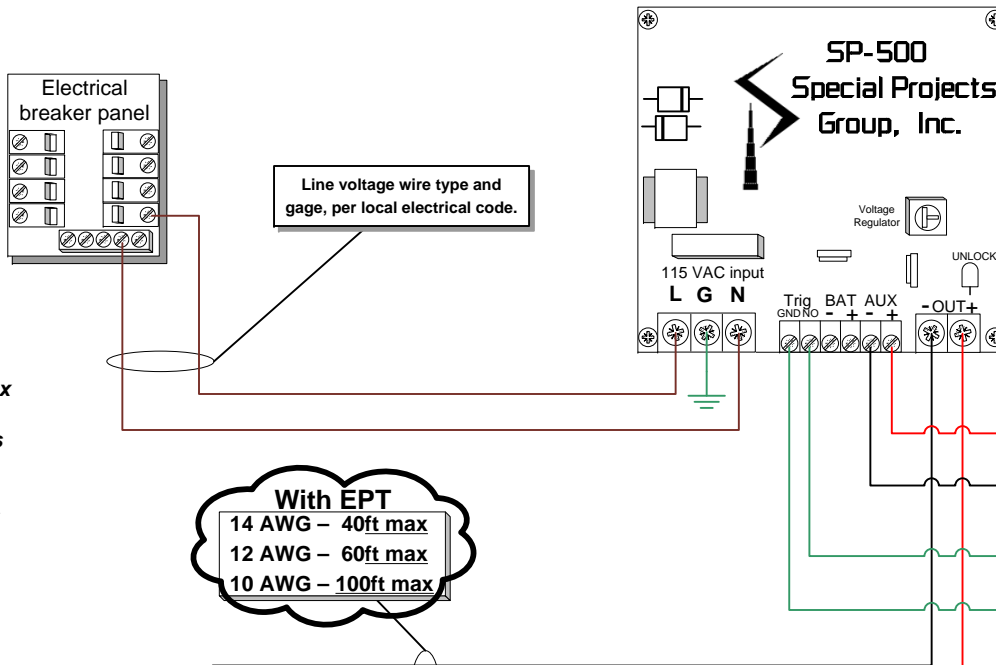
Optional power transfers are available. Please note variations in wire size and maximum run length for these options.

- 14 AWG - 35 ft max
- 12 AWG - 55 ft max
- 10 AWG - 95 ft max

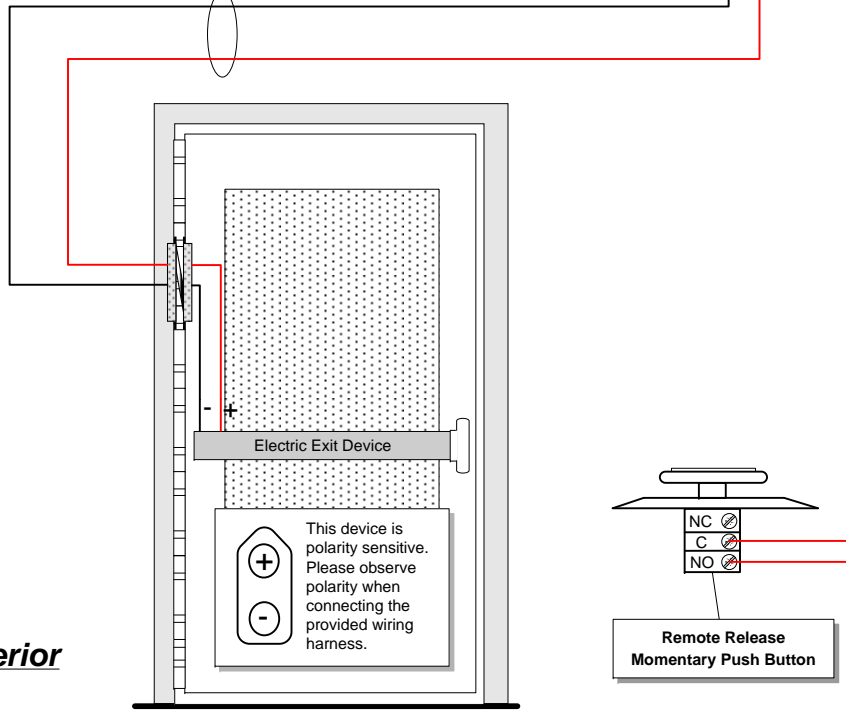
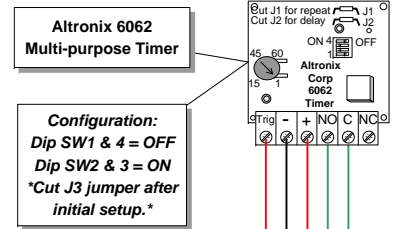


NOTE: Make certain to maintain consistent wire color across the transfer to maintain polarity.

With EPT
14 AWG - 40ft max
12 AWG - 60ft max
10 AWG - 100ft max



These drawings are the sole and exclusive property of Special Projects Group and contain sensitive privileged or confidential information which may be used only for its benefit. The disclosure of these drawings to unauthorized persons is strictly prohibited. This document and all copies must be returned upon demand.
COPYRIGHT © 2014. SPECIAL PROJECTS GROUP, INC.
FOR REFERENCE ONLY
This drawing is not a substitute for qualified field technicians.
One hour of telephone support is available without charge.



Function Statement:

- From exterior - locked condition:** Interior push button to control ingress into building.
- From exterior - unlocked condition:** Door to remain locked unless dogged by mechanical key.
- From interior - locked condition:** Free egress at all times by means of exit device.
- From interior - unlocked condition:** Free egress at all times by means of exit device.
- General:** Altronix 6062 Timer to be used in conjunction with remote release push button for time control. Adjustable from 1 second to 1 hour.

Title: EL Exit Device 1 SGL 6062 - SP500.vsd	Project: EL exit 1 single door w timer
Heading: Various	Door: Various
Date: 2/20/2014	Date Printed: 2/20/2014 Last Revised: 2/20/2014 9:29:09 AM
Drawn By: Cody Richardson	For: Special Projects Group, Inc. Pg: 1 OF 1